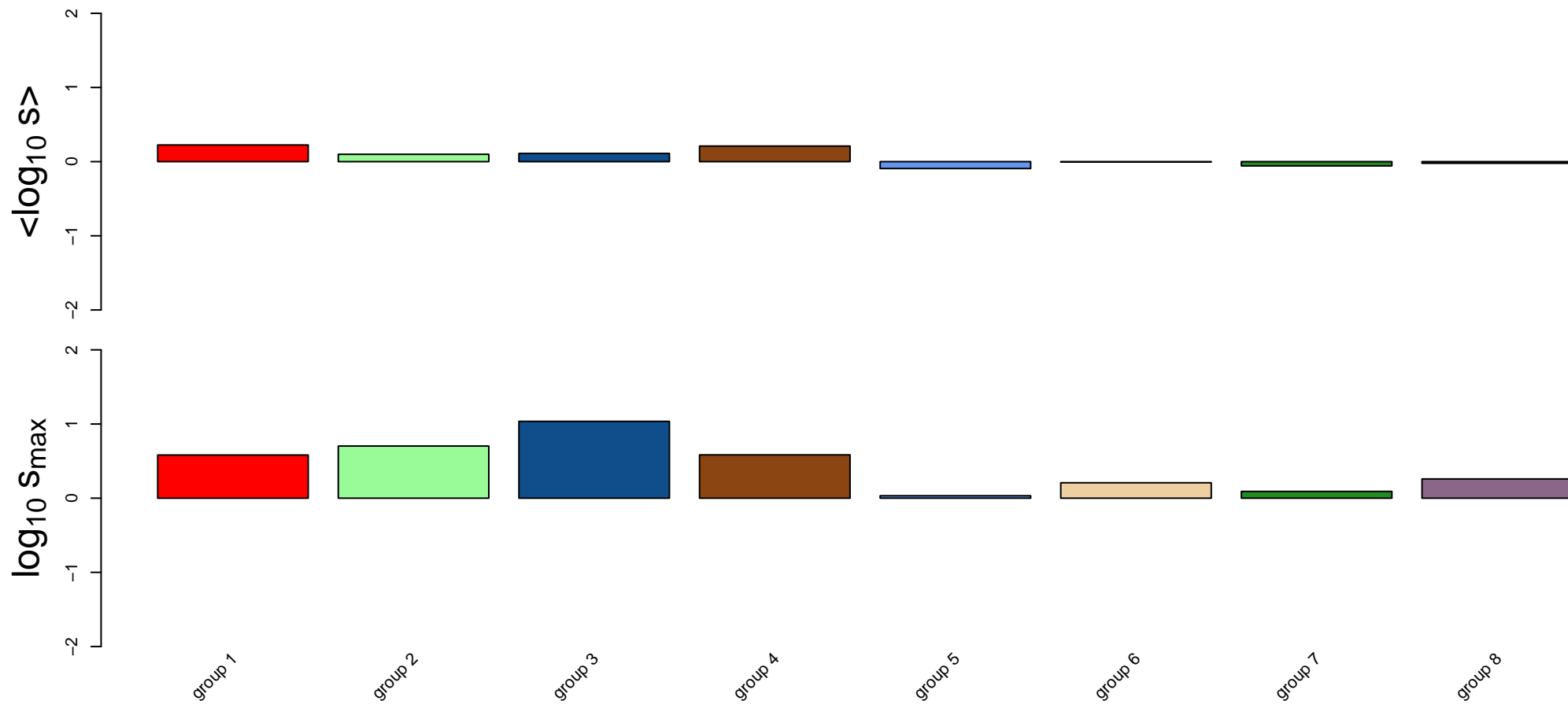
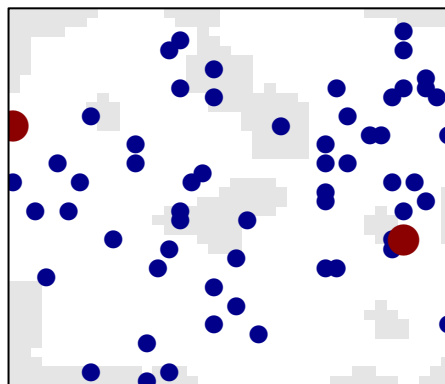
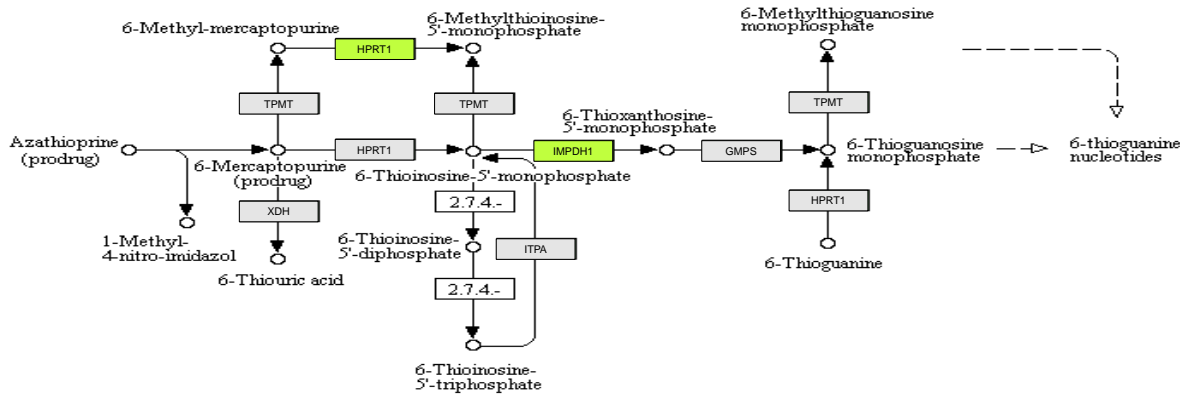


Drug metabolism – other enzymes

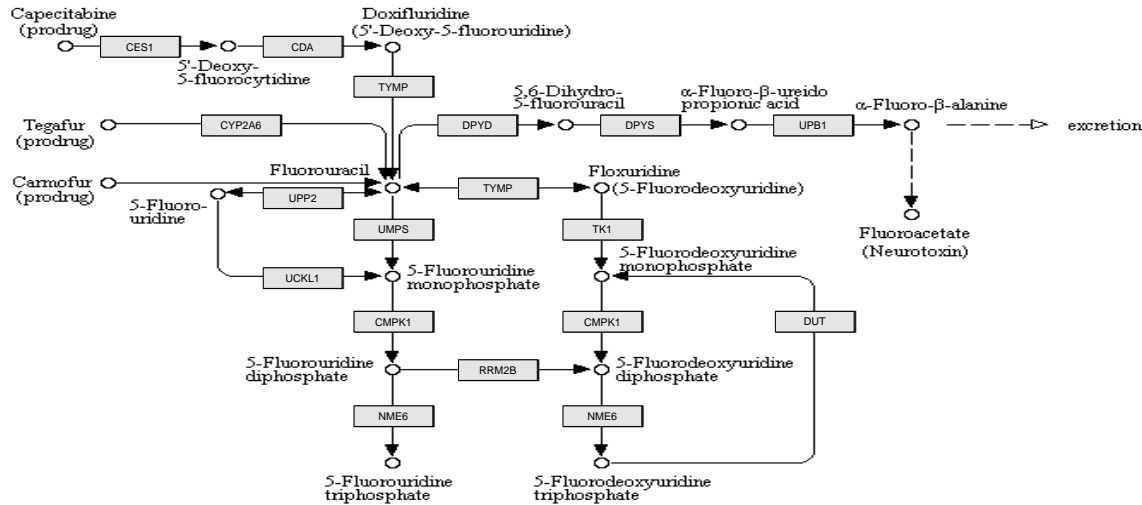
all genes



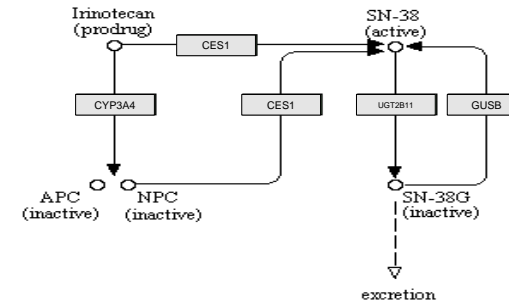
Azathioprine & 6-Mercaptopurine



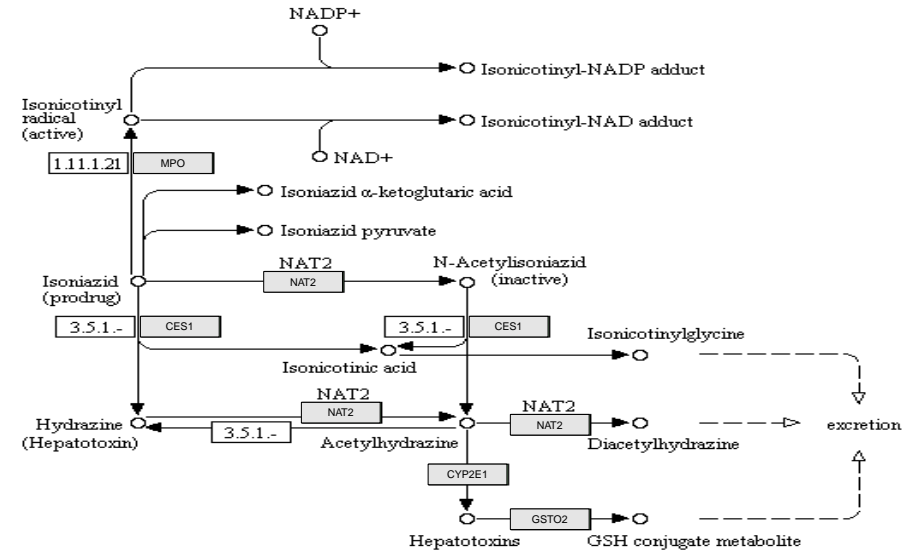
Fluorouracil



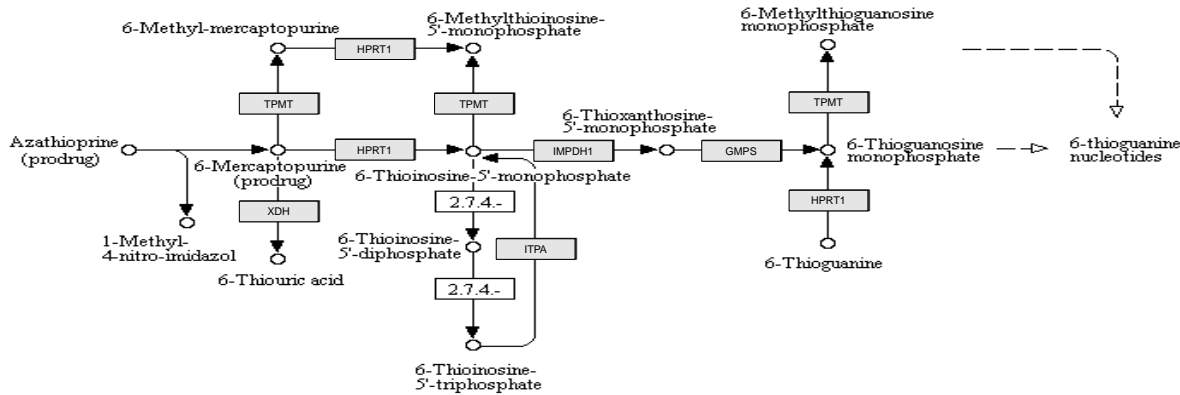
Irinotecan



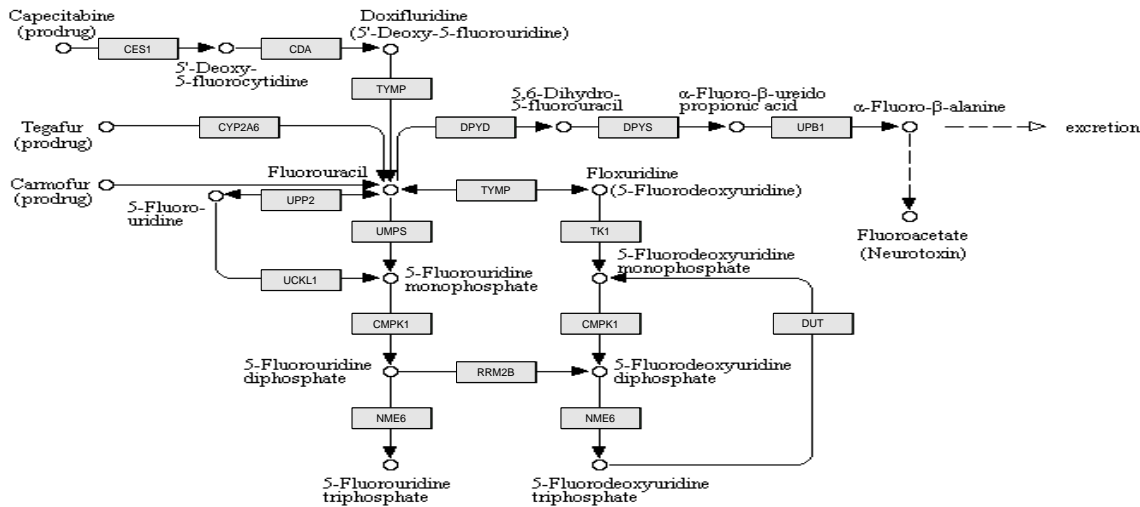
Isoniazid



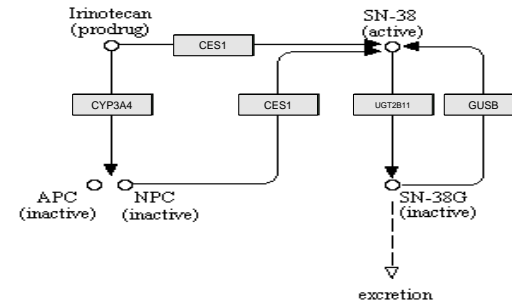
Azathioprine & 6-Mercaptopurine



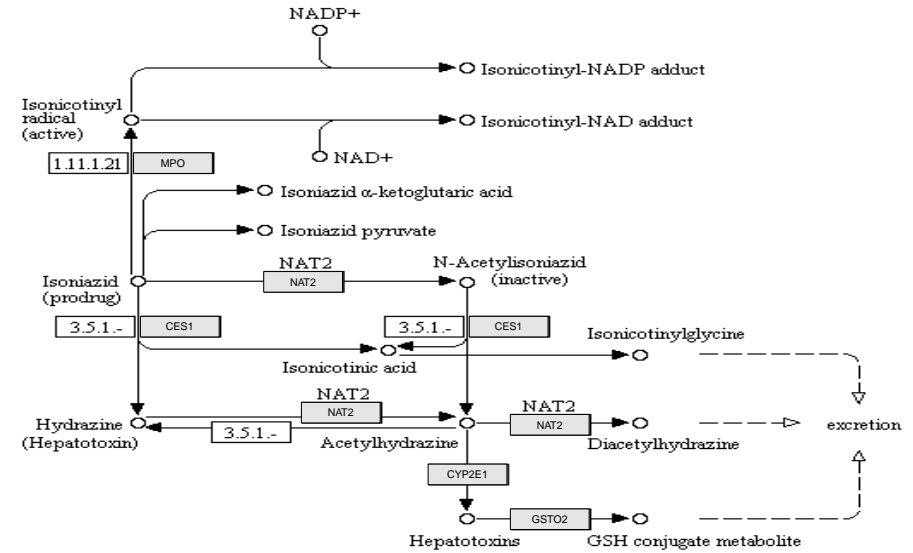
Fluorouracil



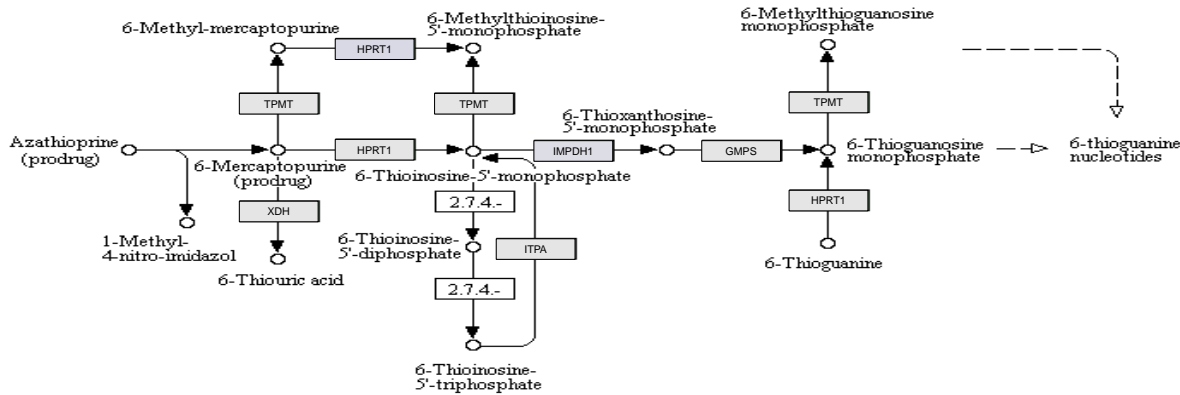
Irinotecan



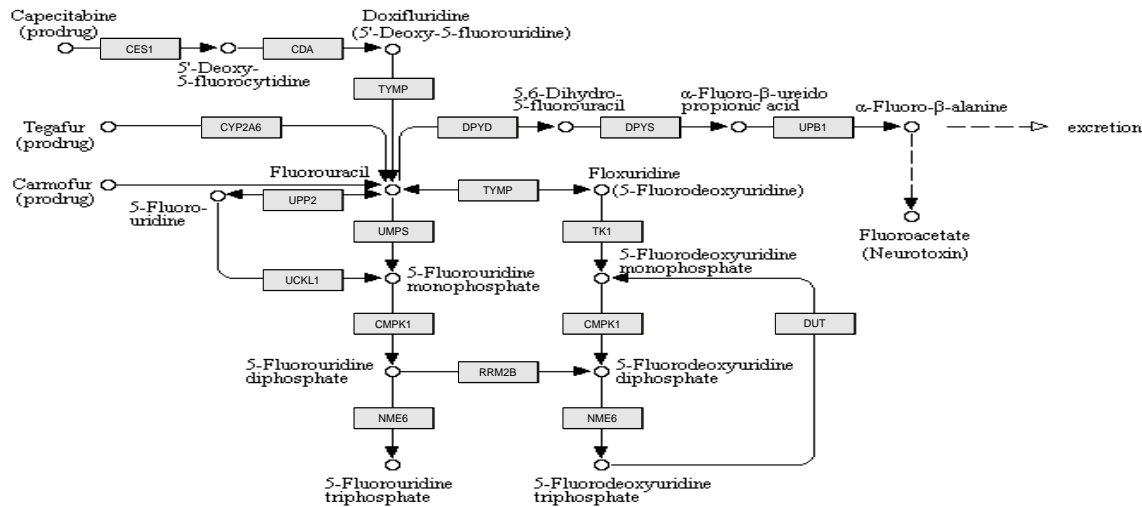
Isoniazid



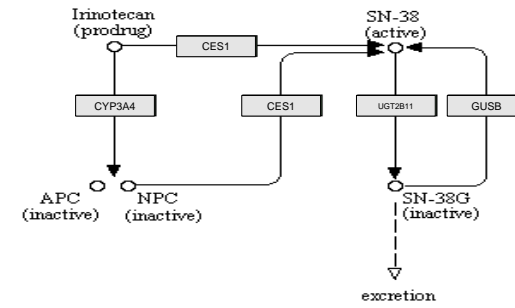
Azathioprine & 6-Mercaptopurine



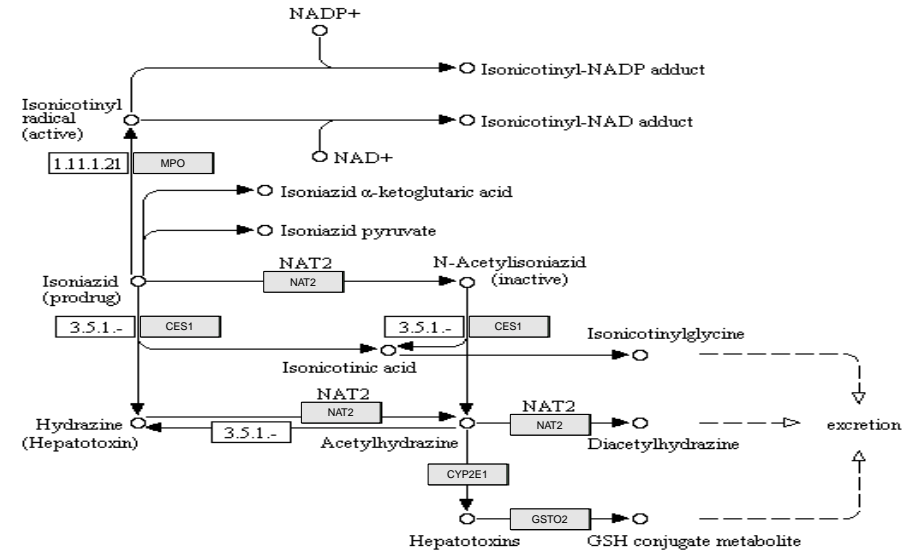
Fluorouracil



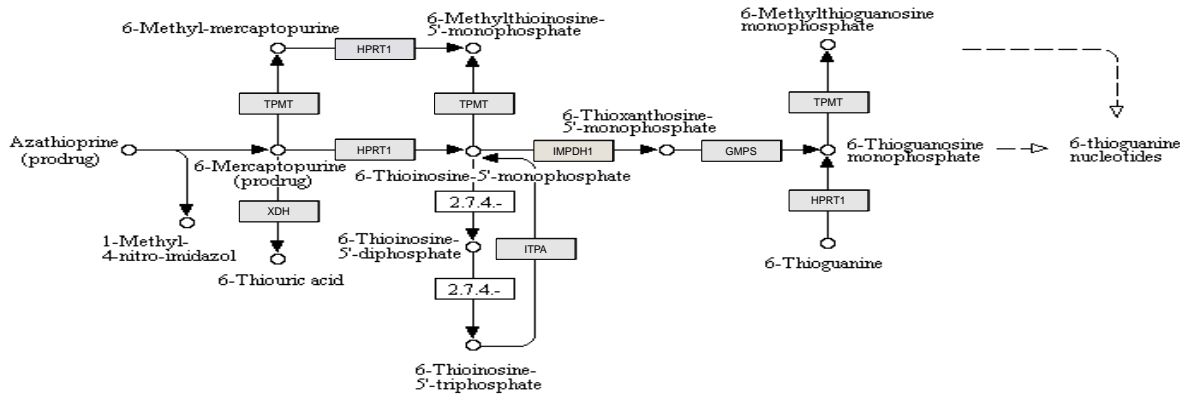
Irinotecan



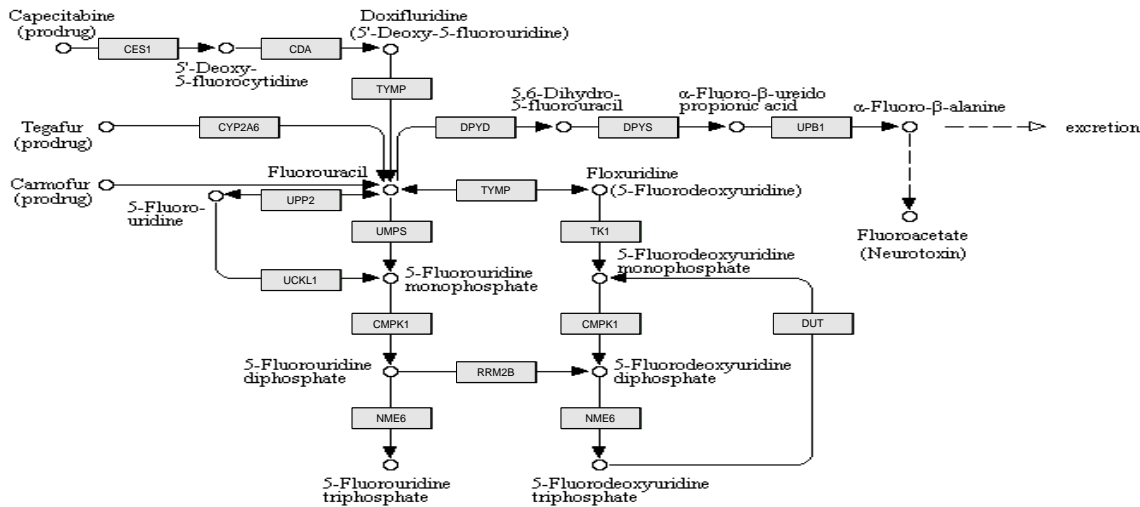
Isoniazid



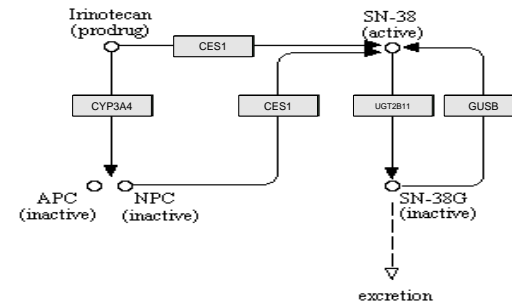
Azathioprine & 6-Mercaptopurine



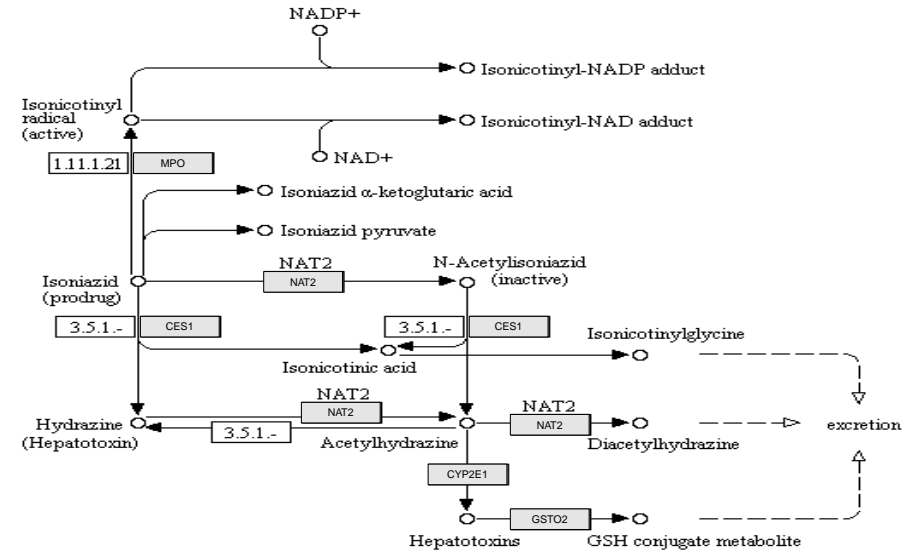
Fluorouracil



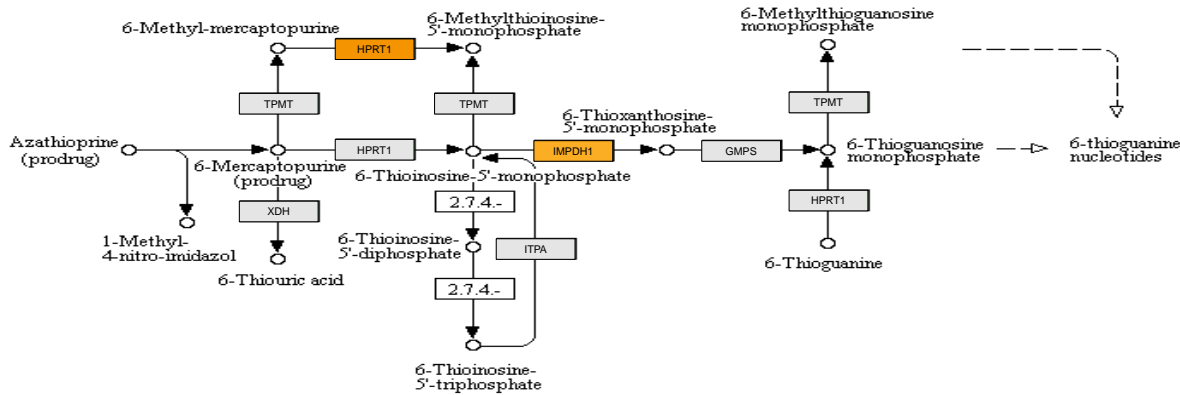
Irinotecan



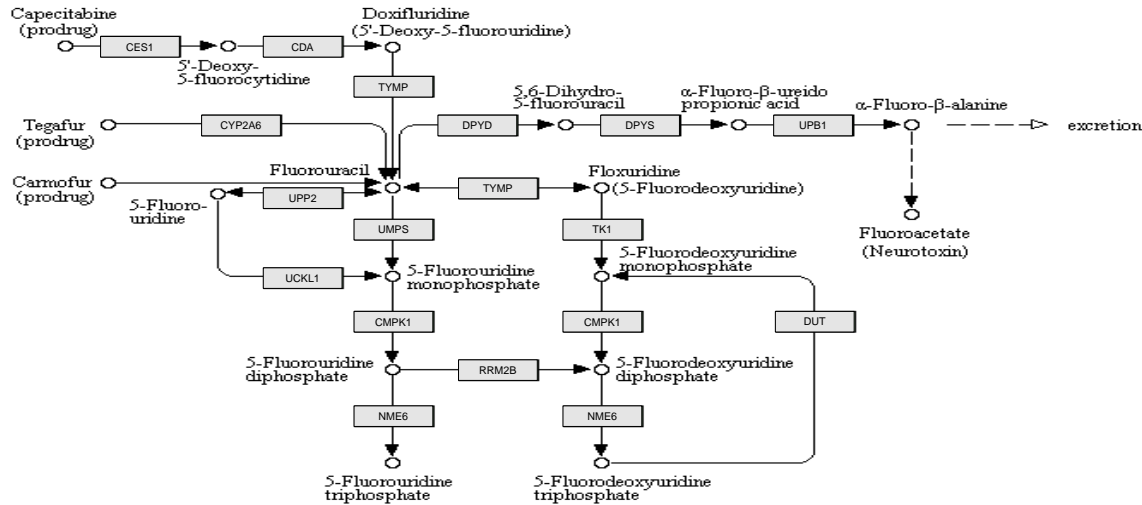
Isoniazid



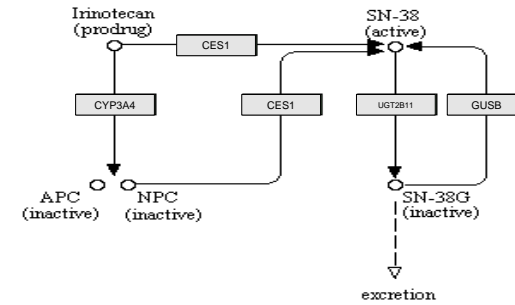
Azathioprine & 6-Mercaptopurine



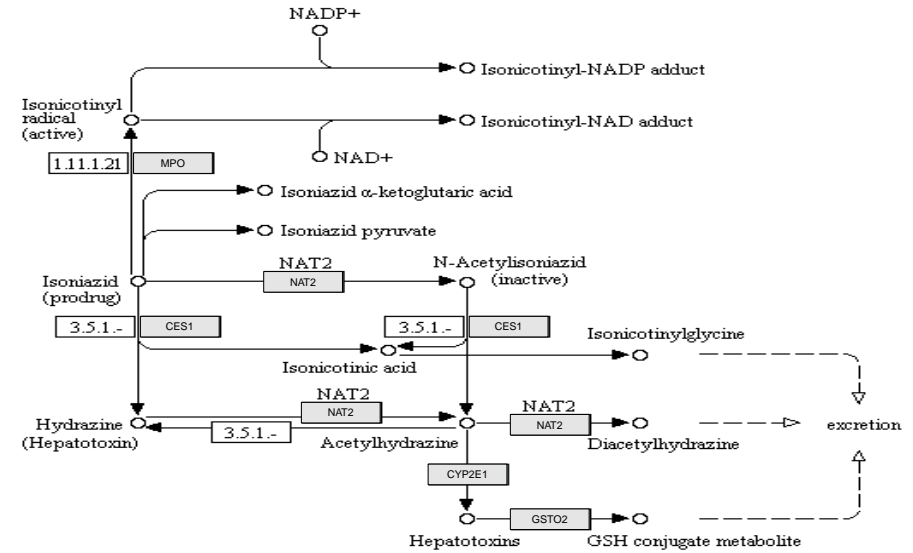
Fluorouracil



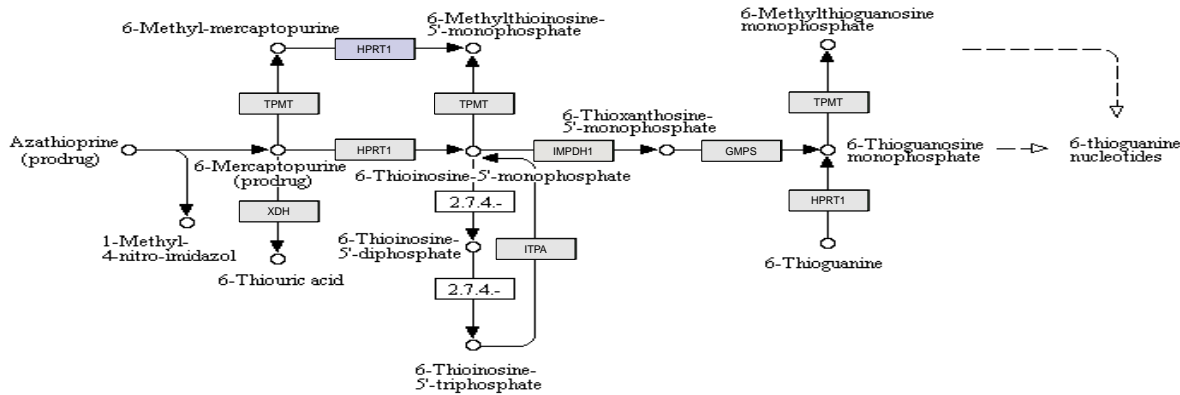
Irinotecan



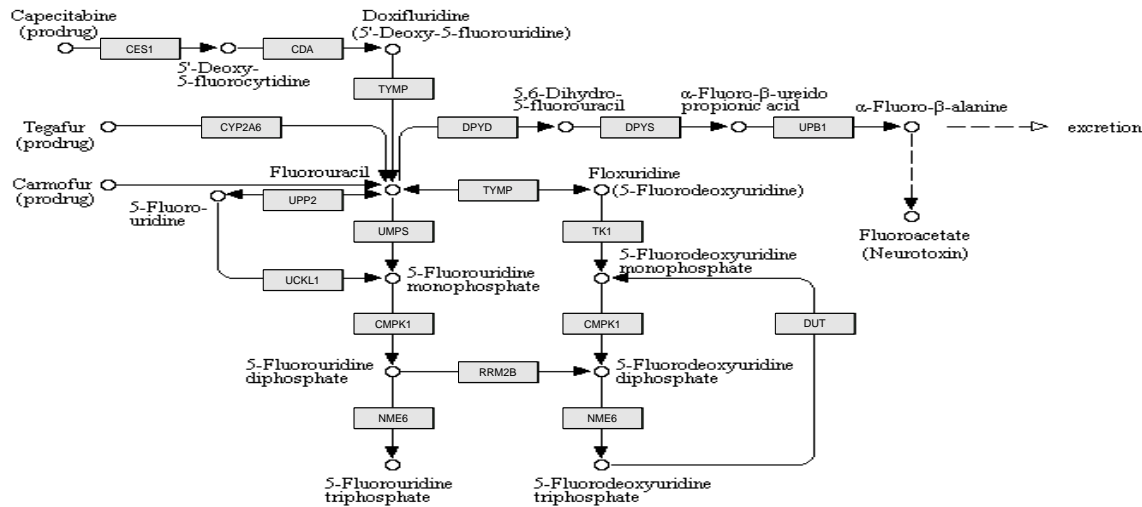
Isoniazid



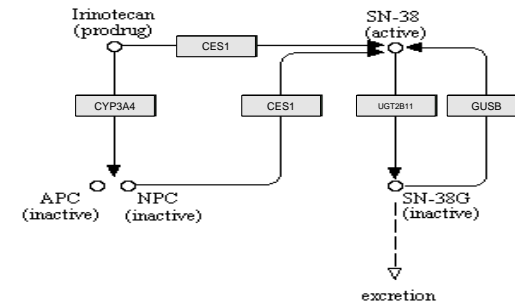
Azathioprine & 6-Mercaptopurine



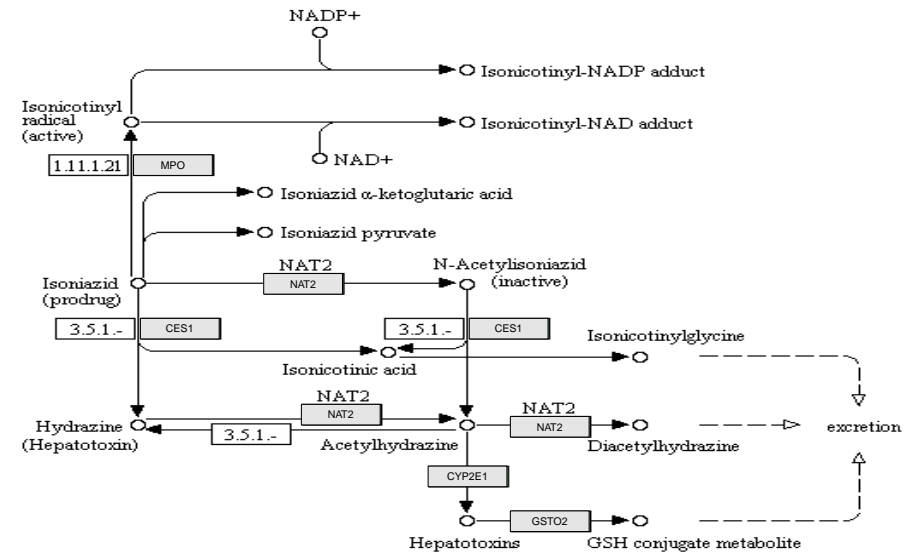
Fluorouracil



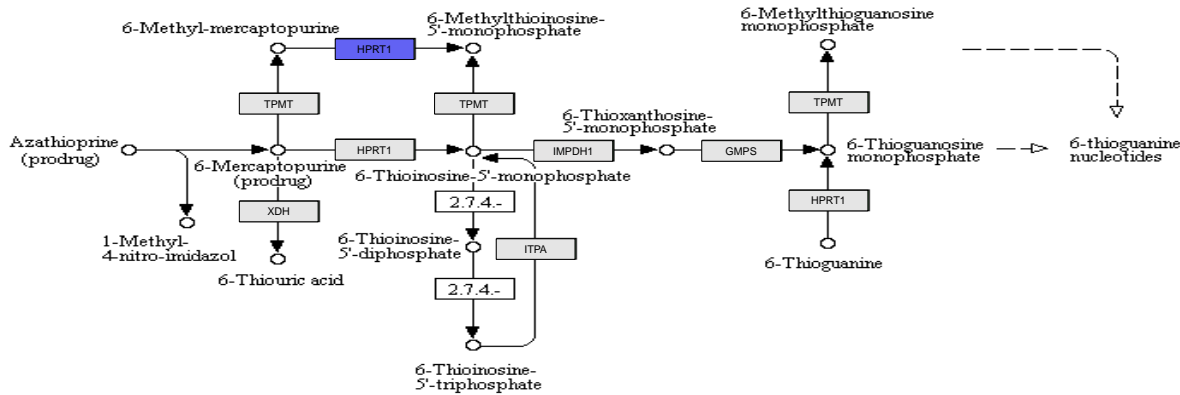
Irinotecan



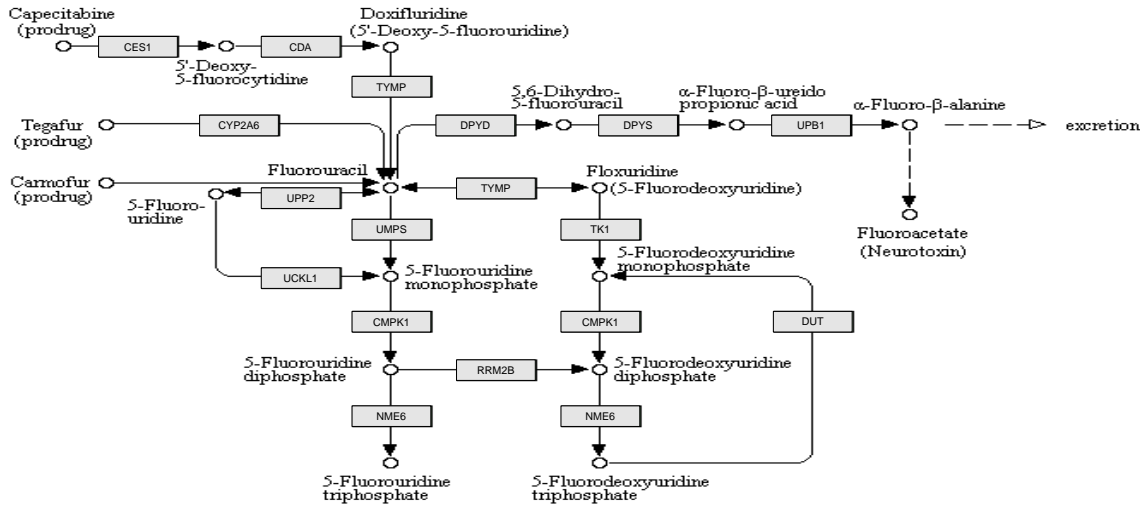
Isoniazid



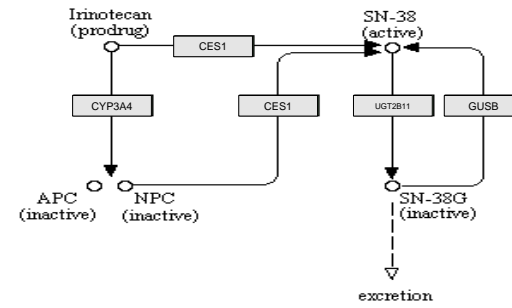
Azathioprine & 6-Mercaptopurine



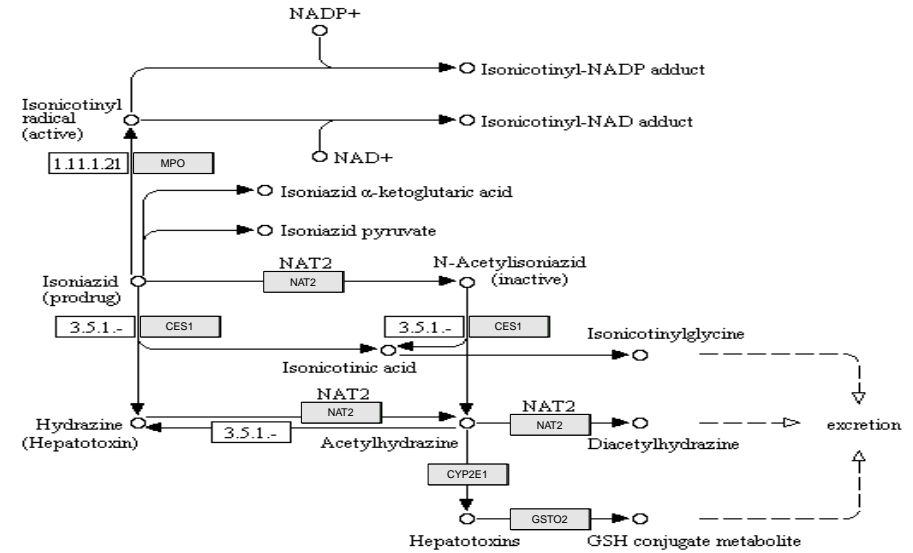
Fluorouracil



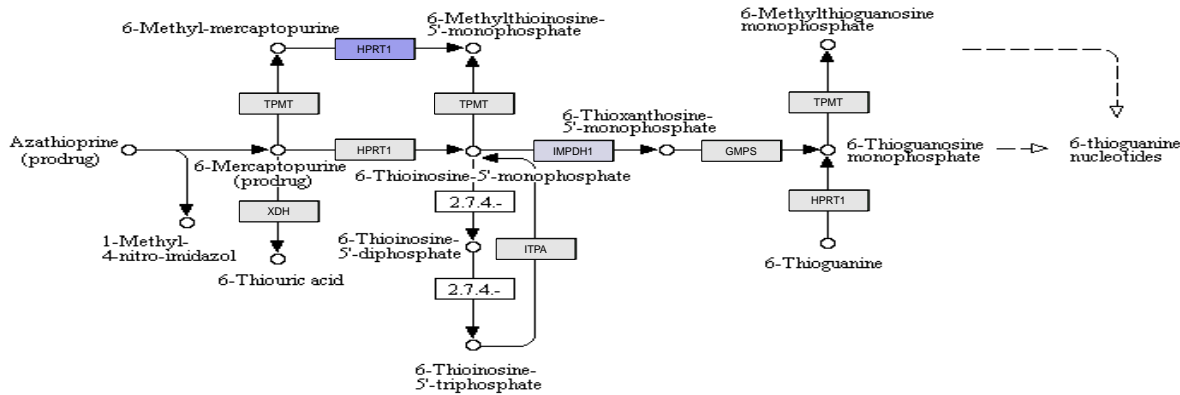
Irinotecan



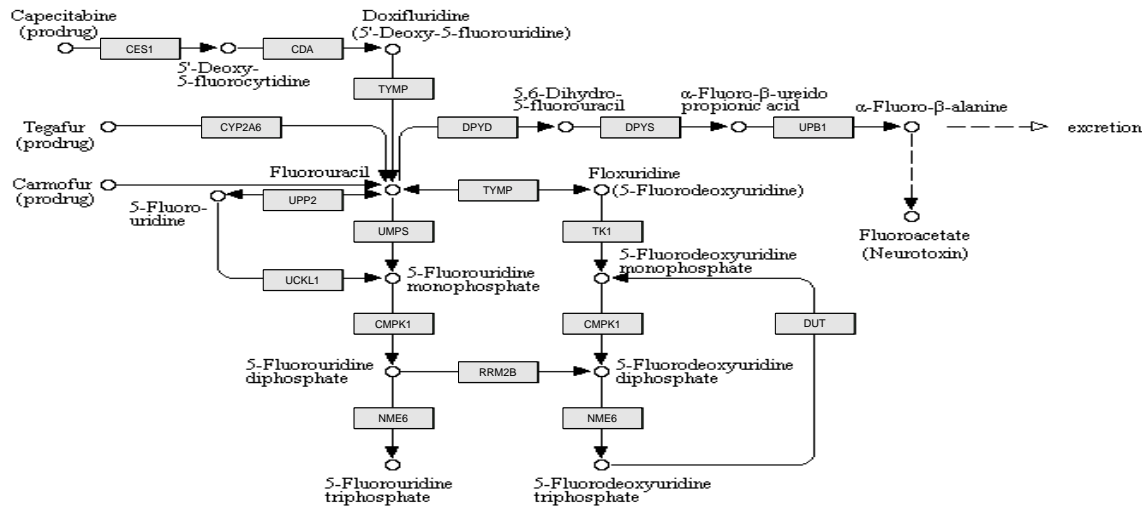
Isoniazid



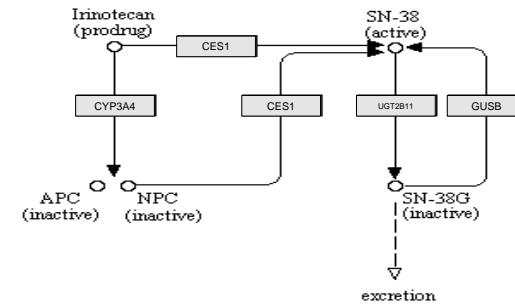
Azathioprine & 6-Mercaptopurine



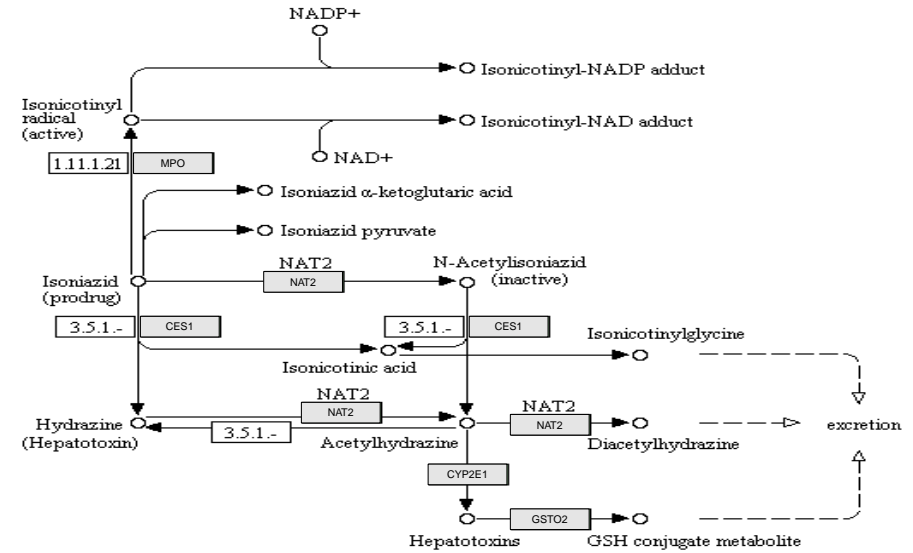
Fluorouracil



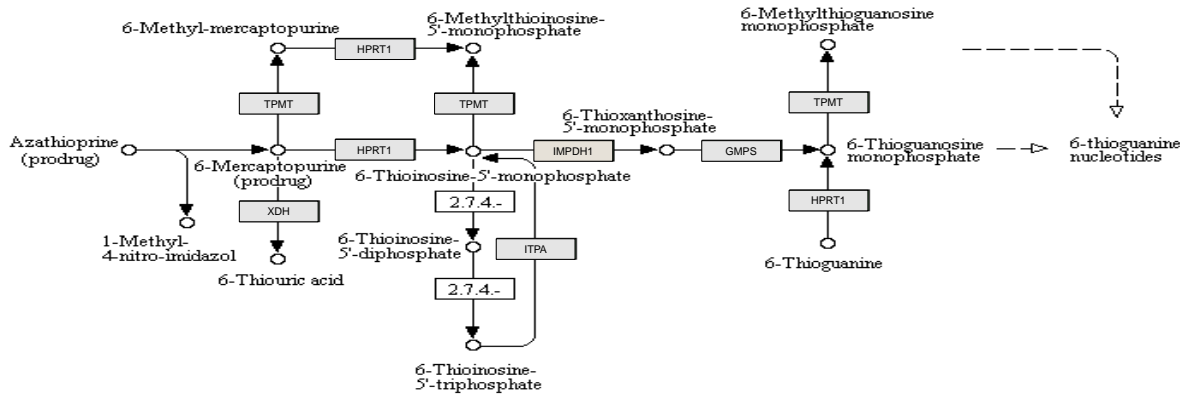
Irinotecan



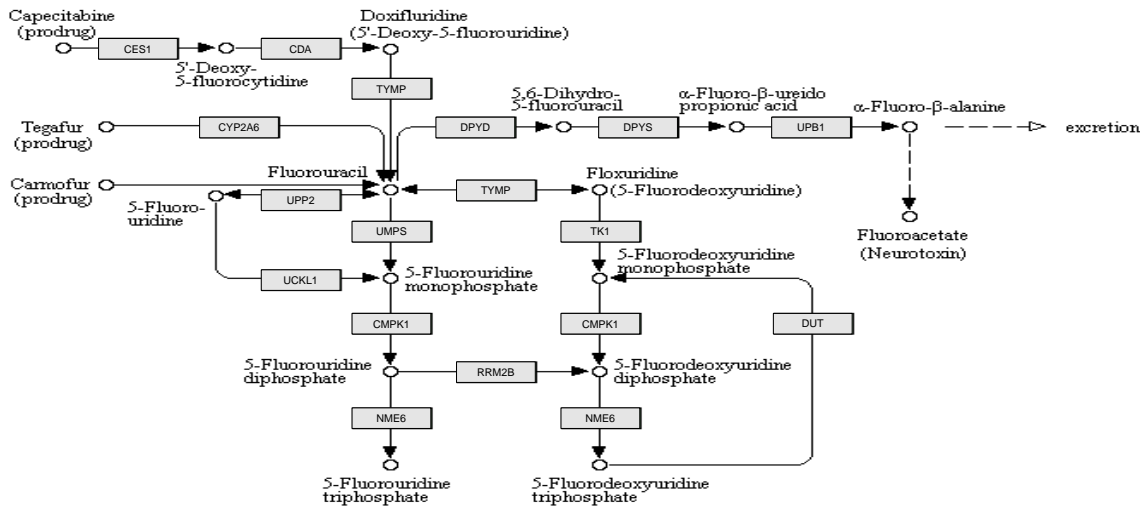
Isoniazid



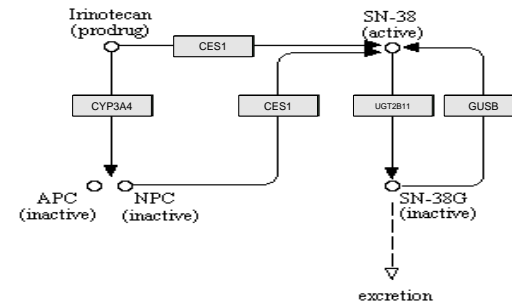
Azathioprine & 6-Mercaptopurine



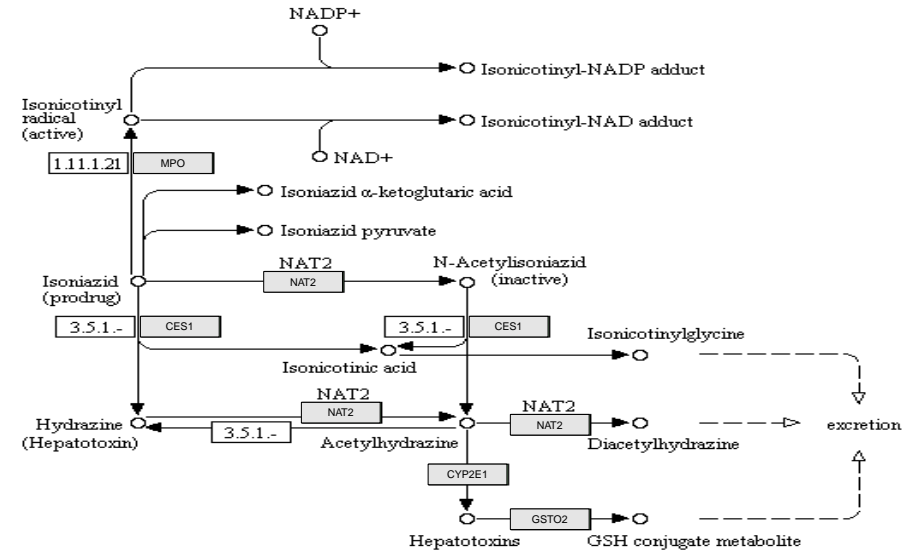
Fluorouracil



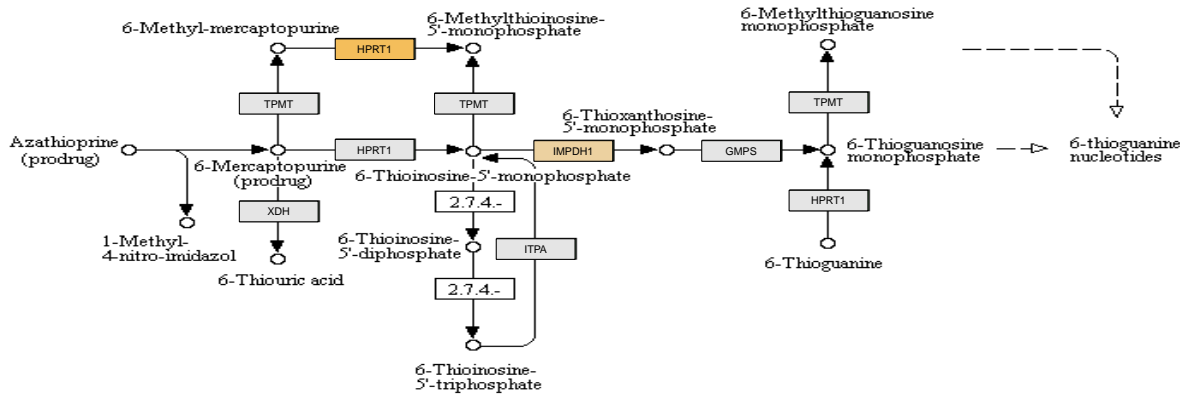
Irinotecan



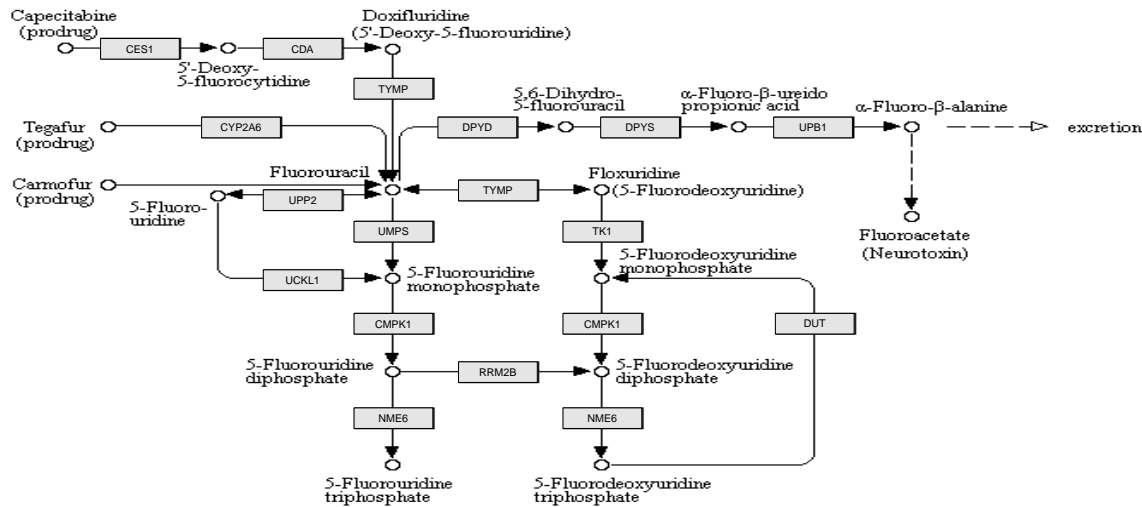
Isoniazid



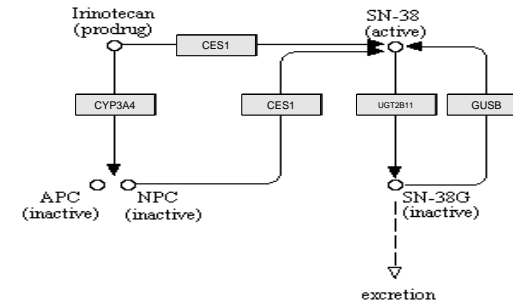
Azathioprine & 6-Mercaptopurine



Fluorouracil



Irinotecan



Isoniazid

